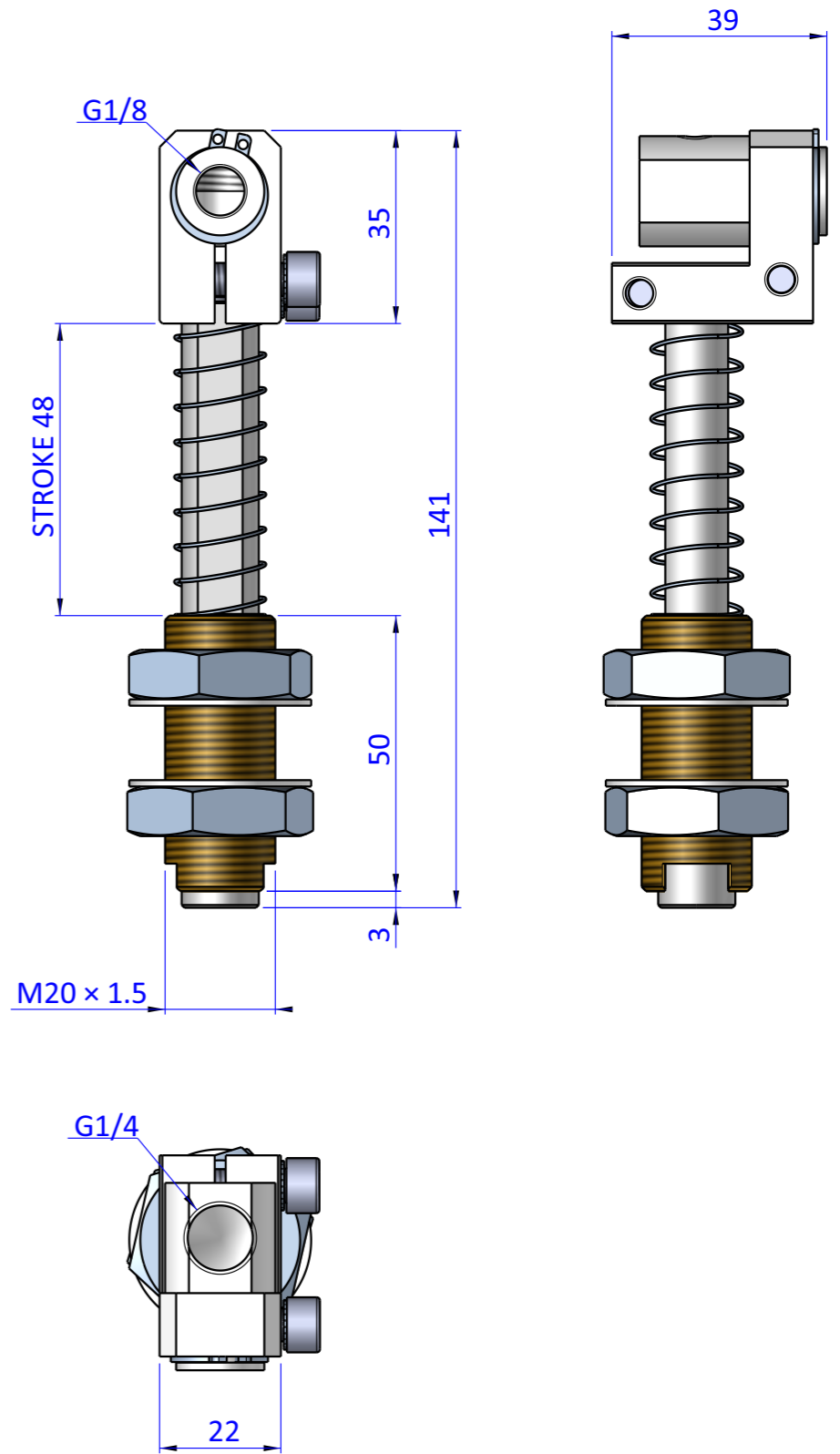
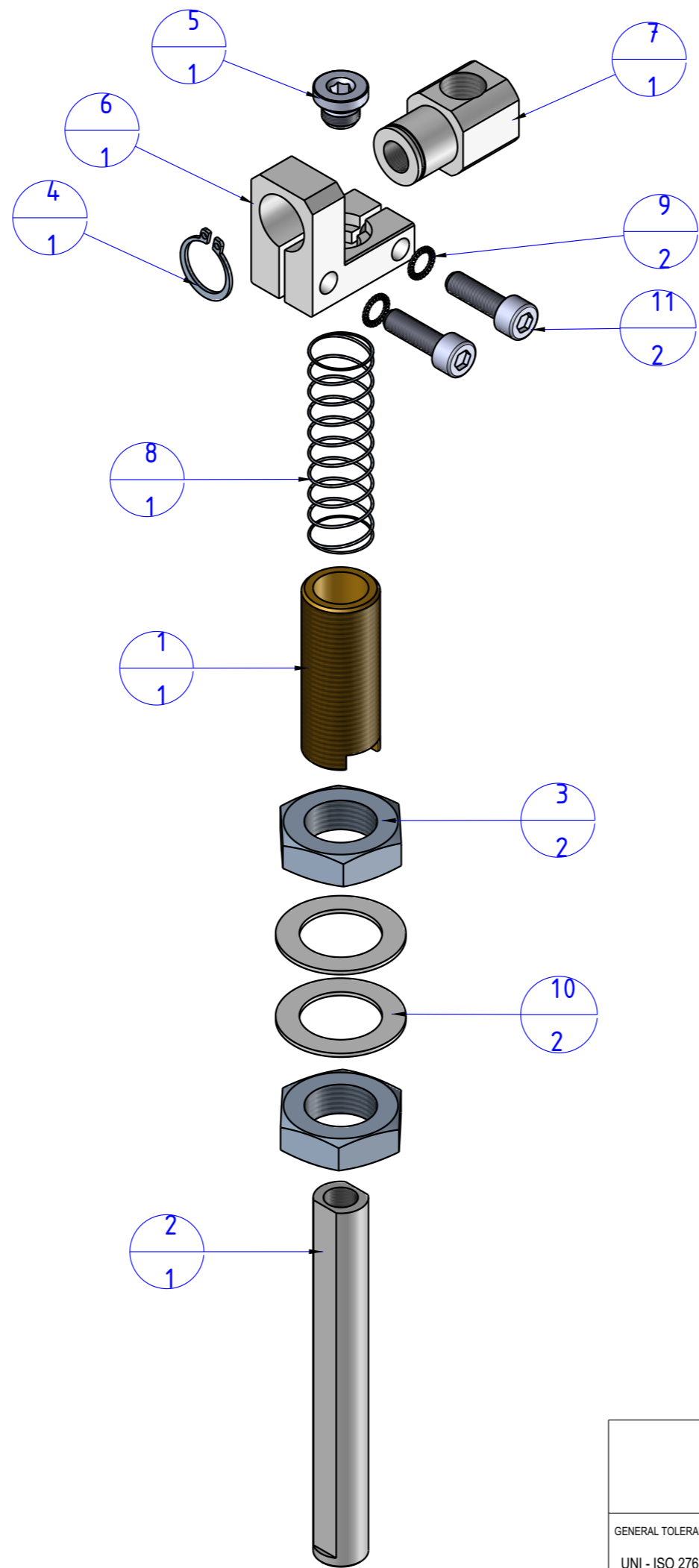

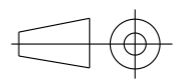


THE PROPERTY OF THE DRAWING IS ESTABLISHED BY LAW. IT IS FORBIDDEN TO PRODUCE OR SHOW IT TO THIRD PART. WITHOUT A WRITTEN AGREEMENT.

Item	Name	Q.ty
1	05.02.001.02	1
2	05.02.001.05	1
3	05.02.001.06	2
4	A.ELA16	1
5	CA.08.14.014	1
6	GG.S.01.03	1
7	GG.S.02.03	1
8	M.16x70	1
9	R.6.SCH	2
10	R.20.SCH	2
11	V.TCE6x20	2



Format A3
UNI 936-76

 FPS FPSERVICES AUTOMATION			DESIGNED FROM FPS Automation	REVIEW A
GENERAL TOLERANCE UNI - ISO 2768 CLASSE f	DESCRIPTION CA.GGSM201445		DATE -	WEIGHT 0,241kg
			CODE CA.GGSM201445	